

AZA SERIES

PD Devices can offer a bespoke design service based around a standard geometry MOV discs (60mm, 90mm etc). These solutions are insulated rod mounted assemblies that can be free-standing on robust supporting end brackets, with mounting and termination options can be tailored to suit any given application.

More complex multi-assembly parallel connected solutions can be support-plate mounted. This makes for a compact unit ready for installation.

Nominal Continuous Operating Voltage from 250Vrms, with an energy withstand capability from 2kJ. This largely a function of quantity of discs matched and parallel connected.

Applications have included the protection of:-

- DC power supplies of generator exciters.
- On-board inverters for rail rolling stock.

Quite simply, anywhere a standard off the shelf component may compromise protection levels.

Where use is required in aggressive environmental conditions, special coatings can be applied for the complete physical protection of the active components.

For most applications, the usual minimum operational parameters required for a design to be realised include:-

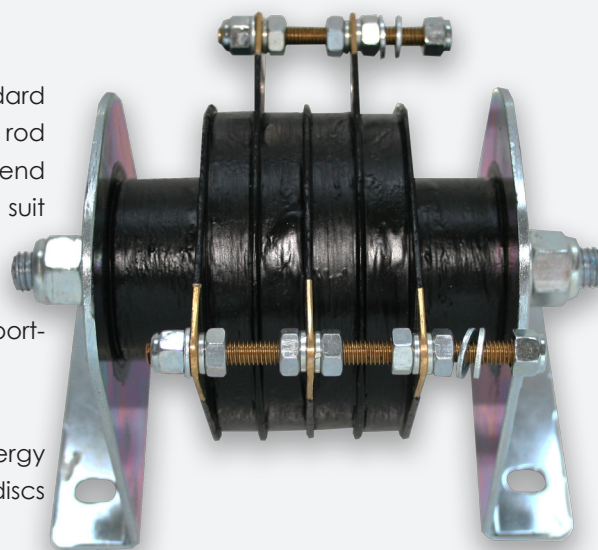
- System Maximum Continuous Operating voltage.
- Magnitude of any Temporary Overvoltages and durations if known or predicted.
- Magnitude of known or predicted surge current conditions.
- Desired protection level in Volts that the protected system can safely tolerate.
- Maximum energy in Joules that the AZA metal oxide solution will be required to withstand and operating duty cycle.

Operating

- Continuous Operating Voltages from 250VAC / 350VDC.
- Energy Withstand capability from 2kJ single phase/mode based on 2ms rectangular current impulse.
- Very high surge current capacities depending on quantities of arrester elements configured.
- Low Leakage Current.

Features

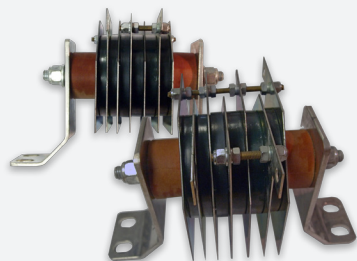
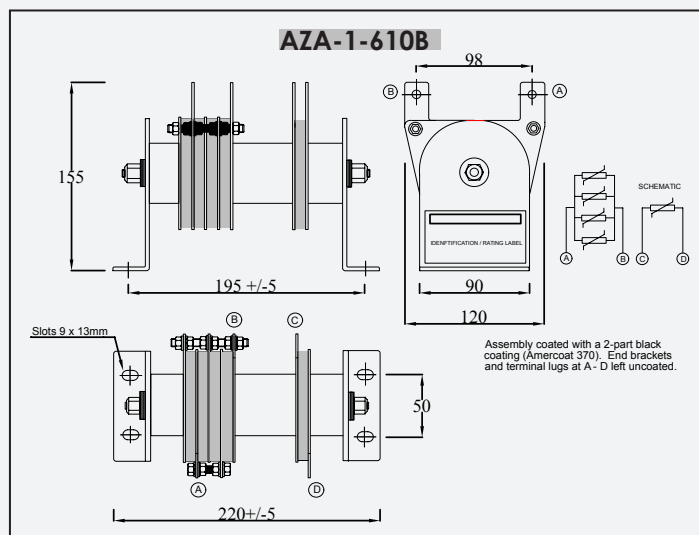
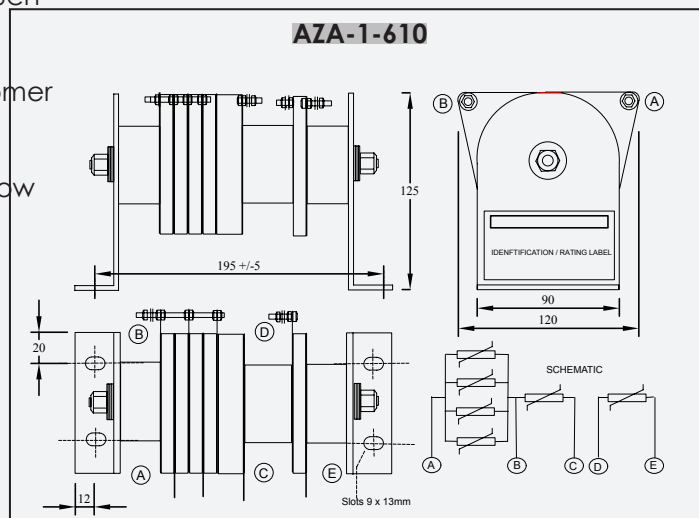
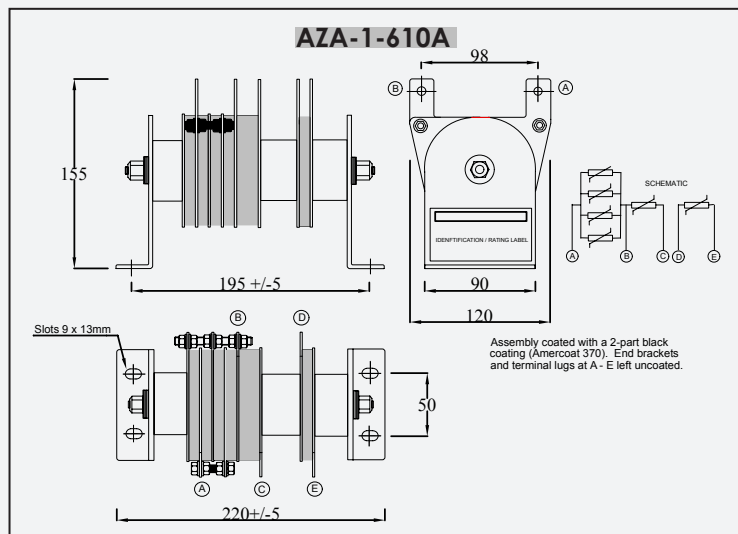
- Bespoke designs typically used for protection of DC exciters in generators, on-board inverters for rail rolling stock, energy dumping amongst many others.
- Bracket mounted for ease of installation.
- M6 terminations.
- Assemblies can be coated for improved environmental protection.



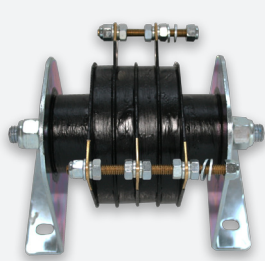
Our AZA series, like many of our other ranges is very much a bespoke product.

*Specifications will differ depending on what the customer requires.

Here are just a few diagrams of a AZA-1-610 to show how the AZA's can be tailored to your needs.



AZA-501



AZA- 1

***This data sheet contains only some of the series and information that is available. For a broader idea of our range or for any specific design requirement and / or query regarding this product Series please contact our Customer Service Department on +44 (0)1364 649248 to discuss further.**

PD Devices reserves the right to amend specifications in line with product development.

All of the above information, including drawings, illustrations and graphic designs, reflects our present understanding and is to the best of our knowledge and belief correct and reliable. Users, however, should independently evaluate the suitability of each product for the desired application. Under no circumstances does this constitute an assurance of any particular quality or performance. Such an assurance is only provided in the context of our product specifications or explicit contractual arrangements. Our liability for these products is set forth in our standard terms and conditions of sale.