

BMA SERIES Bracket Mounted Surge Arrester

PD Devices Ltd. offer a range of Bracket Mounted Surge Arresters capable of handling surge currents in excess of 200kA. The device, although designed primarily for applications within the locomotive industry, is not limited to this field.

The high current capability and low residual voltage does mean that the arrester can offer protection from the effects of lightning in addition to other line disturbances. To facilitate fitting, the arrester can be mounted in any orientation, with the mounting bracket functioning as a heavy duty earth terminal.



BMA Series Surge Arrestors (Table BMAT2)

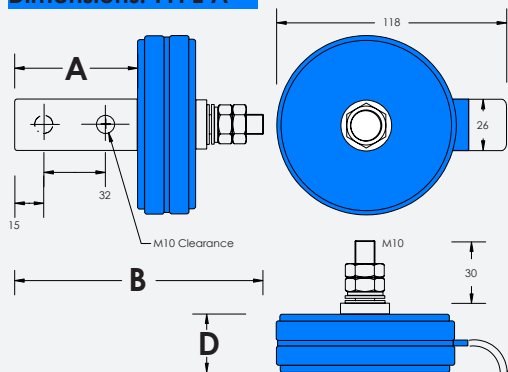
Specification for Finished Assembly

Type	Reference Voltage (Vref) At 20mA		DC Applications		AC Applications		Peak Residual Voltage				Energy withstand (2ms)
	Minimum	Maximum	Maximum continuous operation voltage	Rated voltage	Maximum continuous operation voltage (rms)	Rated voltage (rms)	200A (8/20µs)	1kA (8/20µs)	10kA (8/20µs)	80kA (4/10µs)	(KJ)
LVBMA8.5	850	950	765	820	580	590	1240	1310	1590	1930	18
BMA1	1000	1100	900	960	678	692	1460	1540	1870	3000	20
BMA1.1	1100	1200	990	1056	746	762	1600	1680	2040	3280	21
BMA1.2	1200	1300	1080	1152	814	831	1720	1820	2210	3550	22
BMA1.3	1300	1400	1170	1248	882	900	1850	1960	2380	3830	23
BMA1.4	1400	1500	1260	1344	950	970	1980	2120	2550	4100	24
BMA1.5	1500	1600	1350	1440	1018	1039	2120	2250	2720	4370	25
BMA1.6	1600	1700	1440	1536	1086	1108	2250	2380	2890	4650	26
BMA1.7	1700	1800	1530	1632	1153	1178	2380	2520	3060	4920	27
BMA1.8	1800	1900	1620	1728	1221	1247	2510	2660	3230	5190	28
BMA1.9	1900	2000	1710	1824	1289	1316	2640	2800	3400	5460	29
BMA2	2000	2100	1800	1920	1357	1385	2780	2940	3570	5740	30
BMA2.1	2100	2200	1890	2016	1425	1455	2910	3080	3740	6000	31
BMA2.2	2200	2300	1980	2112	1493	1524	3040	3220	3910	6280	32
BMA2.3	2300	2400	2070	2208	1561	1593	3170	3360	4080	6560	33
BMA2.4	2400	2500	2160	2304	1629	1663	3300	3500	4250	6830	34
BMA2.5	2500	2600	2250	2400	1697	1732	3440	3640	4420	7100	35
BMA2.6	2600	2700	2340	2496	1764	1801	3570	3780	4590	7380	36
BMA2.7	2700	2800	2430	2592	1832	1871	3700	3920	4760	7650	37
BMA2.8	2800	2900	2520	2688	1900	1940	3830	4060	4930	7920	38
BMA2.9	2900	3000	2610	2784	1968	2009	3960	4200	5100	8190	39

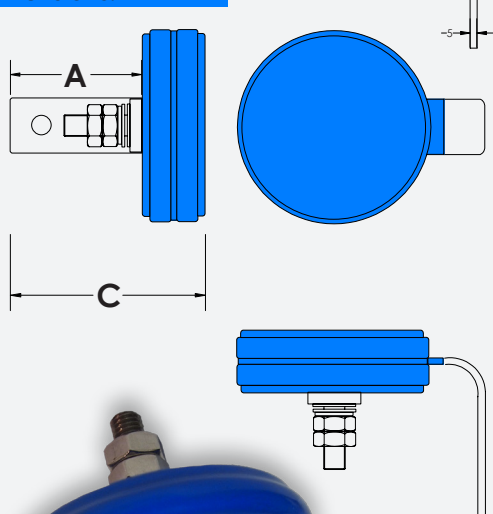
Features

- High current capacity
- Compact design
- Multi-orientation mounting
- Heavy duty earth terminal
- Indoor/outdoor use
- Low residual voltage

Dimensions: TYPE A



Dimensions: TYPE B



**BMA1
TYPE A**

BMA Series Surge Arrestors (Table BMAT3)

Finished Assembly and Resistor Dimensions

Type	Dimensions				Block Size
	A	B	C	D	
	+/- 1.0	+/- 1.0	+/- 1.0	+/- 2.0	+/- 1.0
BMA1	61.5	131.0	96	37	10.0
BMA1.1	61.0	131.5	96.5	38	10.5
BMA1.2	60.5	132.0	97	39	11.0
BMA1.3	60.0	132.5	97.5	40	11.5
BMA1.4	59.5	133.0	98	41	12.0
BMA1.5	59.0	133.5	98.5	42	12.5
BMA1.6	58.5	134.0	99	43	13.0
BMA1.7	58.0	134.5	99.5	44	13.5
BMA1.8	57.5	135.0	100	45	14.0
BMA1.9	57.0	135.5	100.5	46	14.5
BMA2	56.5	136.0	101	47	15.0
BMA2.1	56.0	136.5	101.5	48	15.5
BMA2.2	55.5	137.0	102	49	16.0
BMA2.3	55.0	137.5	102.5	50	16.5
BMA2.4	54.5	138.0	103	51	17.0
BMA2.5	54.0	138.5	103.5	52	17.5
BMA2.6	53.5	139.0	104	53	18.0
BMA2.7	53.0	139.5	104.5	54	18.5
BMA2.8	52.5	140.0	105	55	19.0
BMA2.9	52.0	140.5	105.5	56	19.5

Resistor block dimensions are subject to change

This data sheet contains only some of the series.

For any specific design requirement and / or query regarding this product Series please contact our Customer Service Department on +44 (0)1364 649248 to discuss further.

All of the above information, including drawings, illustrations and graphic designs, reflects our present understanding and is to the best of our knowledge and belief correct and reliable. Users, however, should independently evaluate the suitability of each product for the desired application. Under no circumstances does this constitute an assurance of any particular quality or performance. Such an assurance is only provided in the context of our product specifications or explicit contractual arrangements. Our liability for these products is set forth in our standard terms and conditions of sale.

PD Devices reserves the right to amend specifications in line with product development.