

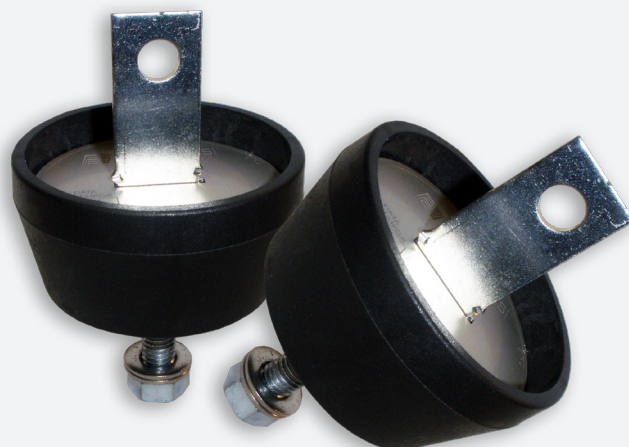
PDLV LOW VOLTAGE SURGE ARRESTERS

PDLV low voltage surge arresters are intended for protection of low voltage systems against overvoltages caused by lightning strikes and switching operations.

Constructed using PD Devices MOV technology with PVA housing resistant to UV.

Arrester specification:

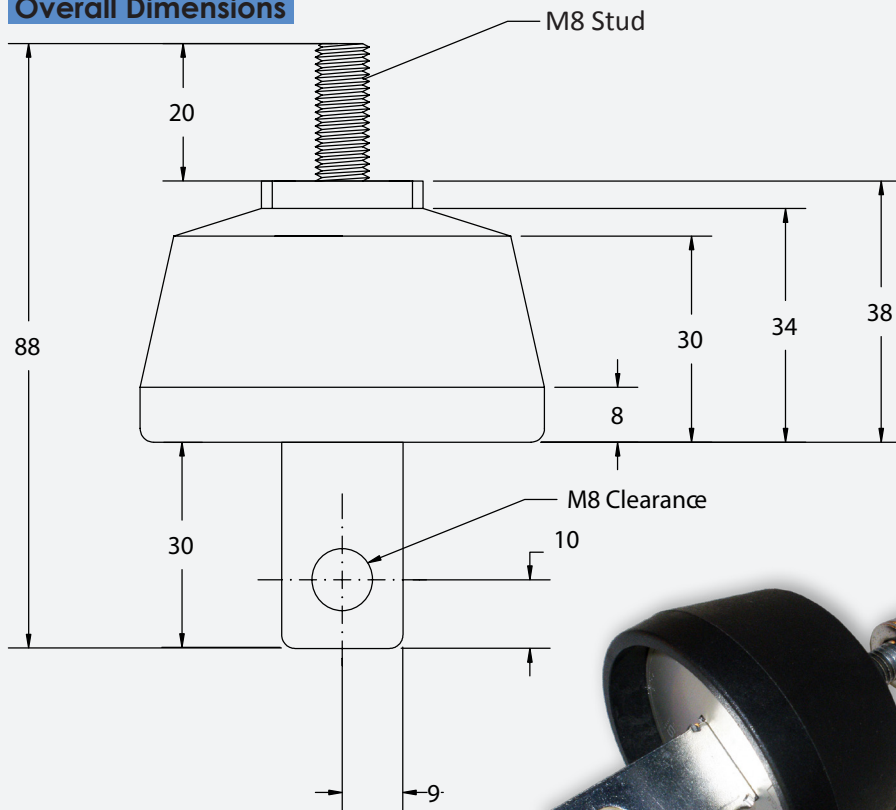
Application: outdoor
 System voltage: up to 1000 V
 Frequency: 48-62 Hz
 Operating temperature range: -40 C to 55 C



Characteristics				
Type Part Code:	Continuous operating voltage $U_{c\ rms}$	Nominal discharge current I_n	Maximum discharge current I_{max}	Residual Voltage at I_n
	V	kA	kA	V
PDLV 280-5	280	5	25	1000
PDLV 440-5	440			
PDLV 500-5	500			
PDLV 660-5	660			
PDLV 280-10	280	10	40	1100
PDLV 440-10	440			
PDLV 500-10	500			
PDLV 660-10	660			

Delivered with bottom (earth) and top (line) accessories including insulation piercing connectors and flexible conductors.

Overall Dimensions



For any specific design requirement and / or query regarding this product Series please contact our Customer Service Department on +44 (0)1364 649248.

All of the above information, including drawings, illustrations and graphic designs, reflects our present understanding and is to the best of our knowledge and belief correct and reliable. Users, however, should independently evaluate the suitability of each product for the desired application. Under no circumstances does this constitute an assurance of any particular quality or performance. Such an assurance is only provided in the context of our product specifications or explicit contractual arrangements. Our liability for these products is set forth in our standard terms and conditions of sale.