

PDLV-Series

Low Voltage Surge Arresters

PDLV low voltage surge arresters are intended for protection of low voltage systems against overvoltages caused by lightning strikes and switching operations.

Constructed using PD Devices MOV technology with PVA housing resistant to UV.

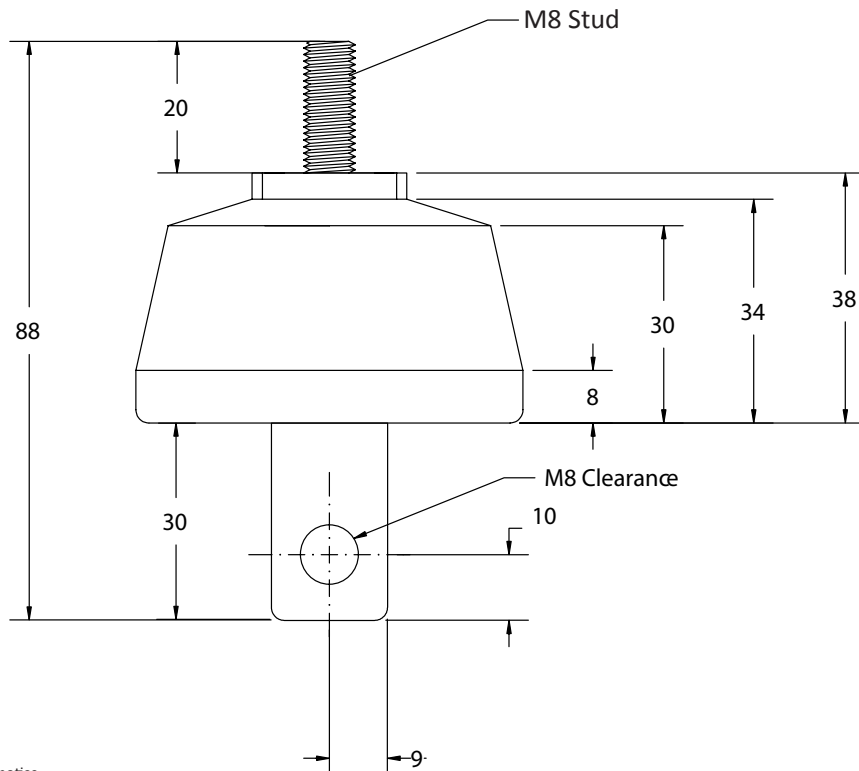
Application: outdoor
System voltage: up to 1000 V
Frequency: 48-62 Hz
Operating temperature range: -40 C to 55 C



Delivered with bottom (earth) and top (line) accessories including insulation piercing connectors and flexible conductors.

Specifications

Type Part Code	Continuous operating voltage U_{c_rms}	Nominal discharge current I_n	Maximum discharge current I_{max}	Residual Voltage at I_n
	V	kA	kA	V
PDLV 280-5	280	5	25	1000
PDLV 440-5	440			1500
PDLV 500-5	500			1800
PDLV 660-5	660			2000
PDLV 280-10	280	10	40	1100
PDLV 440-10	440			1700
PDLV 500-10	500			1900
PDLV 660-10	660			2400



Revision: vPD2, 12/04/17
 Information subject to change without notice.

All of the above information, including drawings, illustrations and graphic designs, reflects our present understanding and is to the best of our knowledge and belief correct and reliable. Users, however, should independently evaluate the suitability of each product for the desired application.

