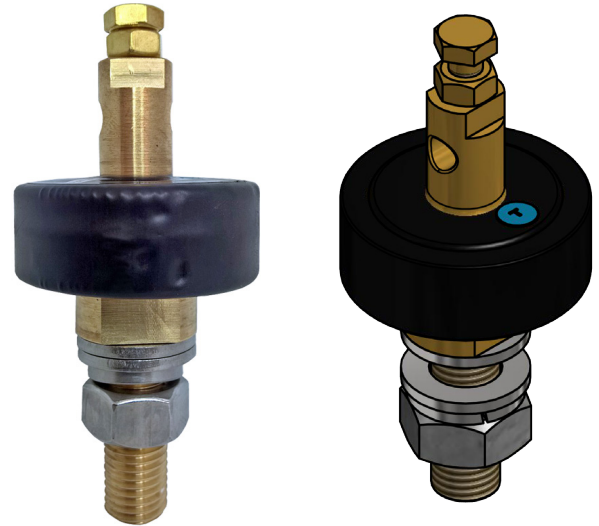


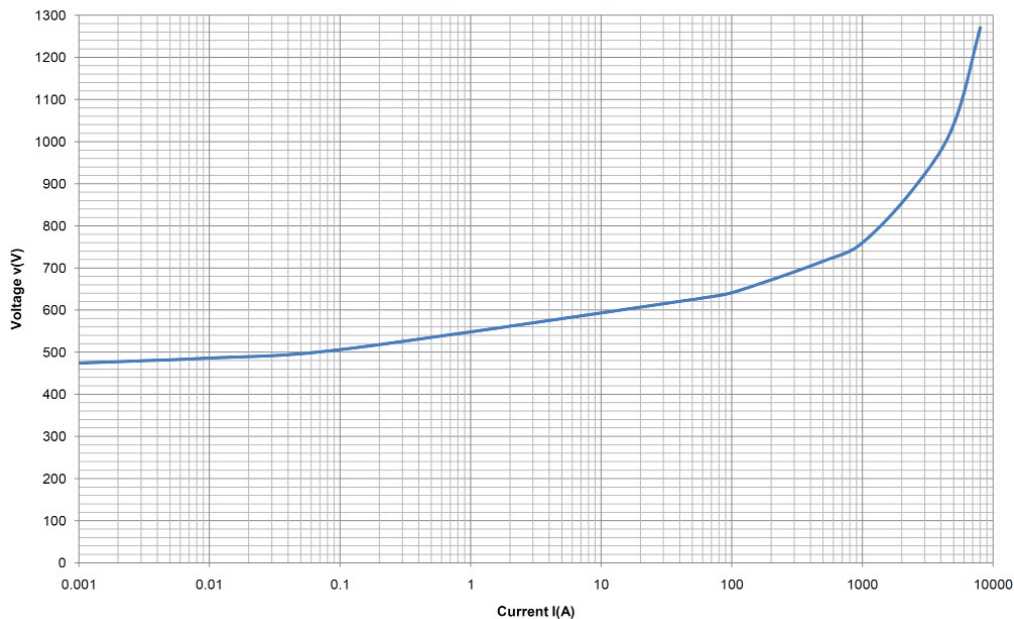
# PDLVL500/1500M

## Surge Arrester

| <b>Specifications</b>                    |   |
|--|---|
| Reference Voltage $U_{ref}$              | 420V – 500V at 1mA DC   |
| Continuous Operating Voltage $U_c$       | 320VDC (<10 $\mu$ A)<br>400VDC (<50 $\mu$ A)<br>420VDC (<100 $\mu$ A)                   |
| Rated Voltage $U_r$                      | 500VDC ( $\leq$ 1mA)  |
| Current @ 520VDC                         | >20mA   |
| Residual Voltage $U_{res}$               | <700V @ 100A<br><800V @ 1000A   |
| Effective Dynamic Resistance             | 0.9 $\Omega$ @ 800v<br>0.5 $\Omega$ @ 800v  |
| Short Circuit Energy Integral            | 2 x 0.5 x 10 <sup>6</sup> A <sup>2</sup> s<br>2 x 60 x 10 <sup>6</sup> A <sup>2</sup> s |
| High Current Impulse                     | 20 x 7.5kA 8/20 $\mu$ s impulse<br>2 x 100kA 4/10 $\mu$ s impulse                       |
| Current @ 120VDC & Superimposed 12v/75hz | <<5mA   |
| Bi-Polar Operation                       | Non-Polarised   |
| Tightening Torque for M16 fitting        | 80Nm max  |
| Tightening Torque for M8 fitting         | 19Nm max  |
| Part Code:                               | <b>PDLVL500/1500M</b>   |



**Typical VI Curve**



Revision: vPD7, 12/10/17  
Information subject to change without notice.

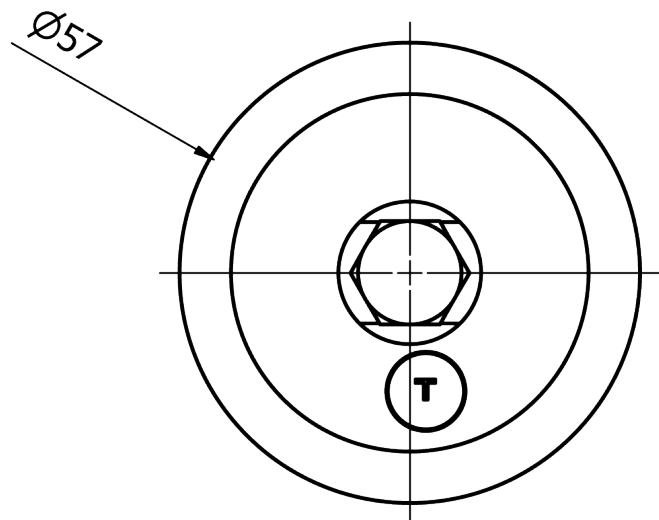
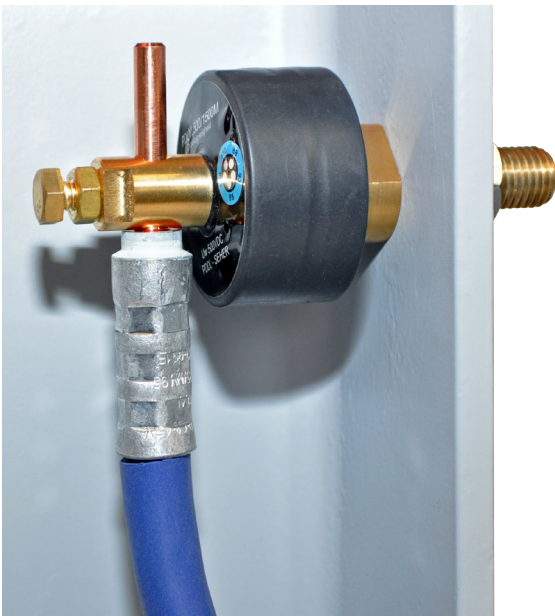
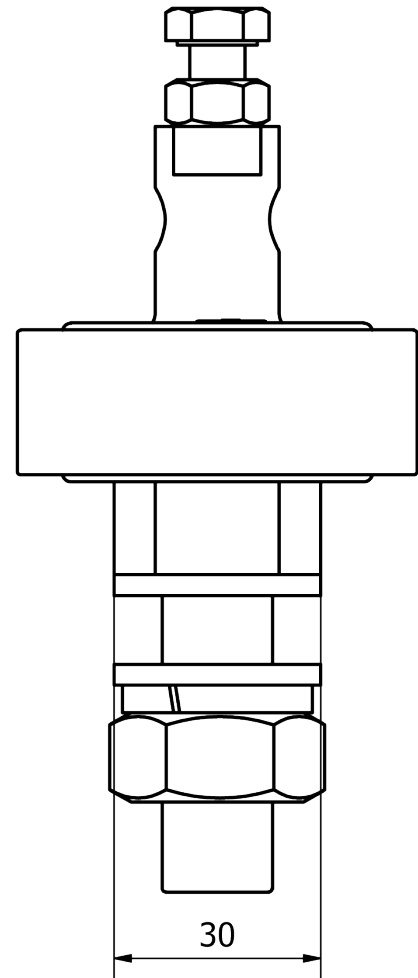
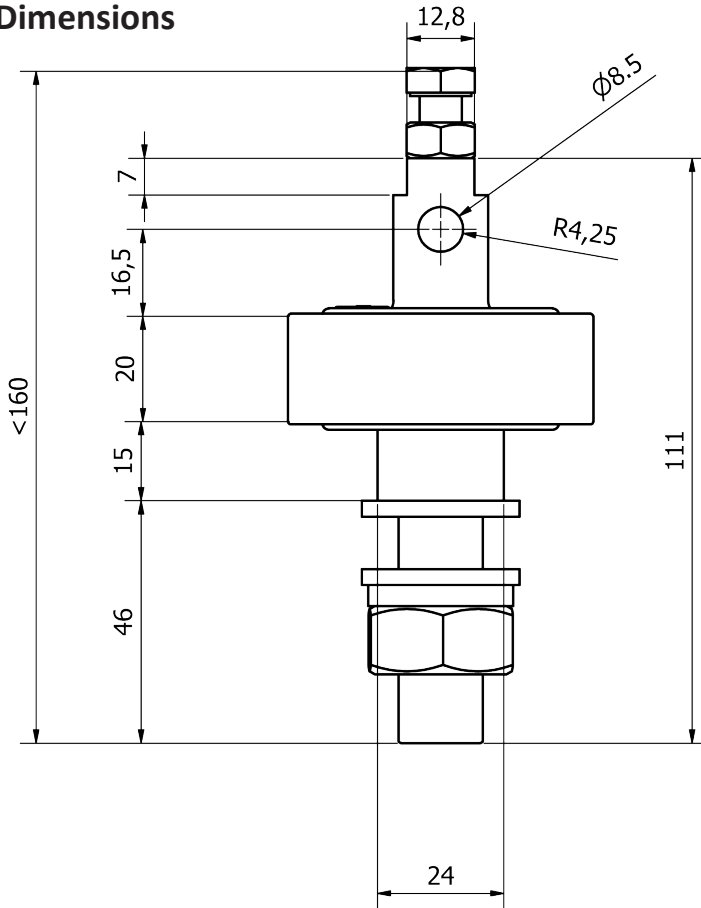
All of the above information, including drawings, illustrations and graphic designs, reflects our present understanding and is to the best of our knowledge and belief correct and reliable. Users, however, should independently evaluate the suitability of each product for the desired application.



# PDLVL500/1500M

## Surge Arrester

### Dimensions



Revision: vPD7, 12/10/17  
Information subject to change without notice.

All of the above information, including drawings, illustrations and graphic designs, reflects our present understanding and is to the best of our knowledge and belief correct and reliable. Users, however, should independently evaluate the suitability of each product for the desired application.

