

# PDTISA Series

## Combined Tension Insulator & Surge Arrester

The PDTISA Series 10kA Class1 arrester is a Metal-Oxide based surge protection device designed for use in ac power distribution systems.

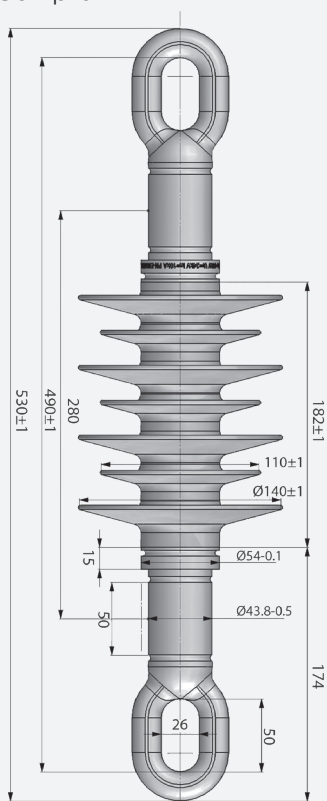
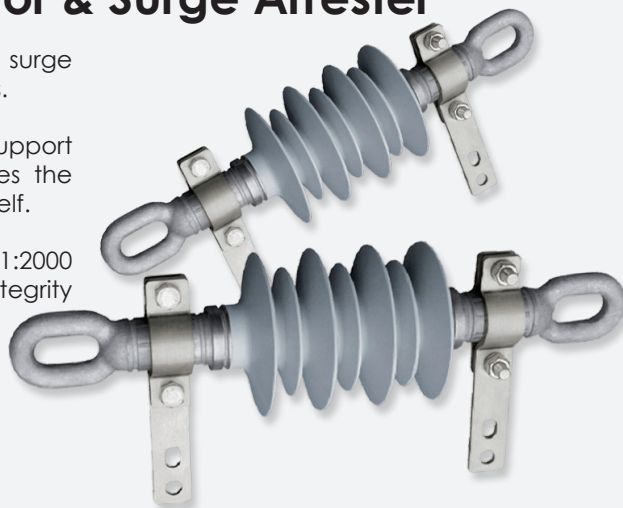
The unique feature of this arrester design is its dual function as a support insulator and surge suppression component. This greatly simplifies the installation of the arrester and of the distribution support network itself.

The arresters are designed and manufactured within an ISO9001:2000 quality system. This ensures reliable and predictable mechanical integrity and stability of electrical performance.

The arrester is fully tested and approved to meet the requirements of EN 60099-4:2004 and IEC 61109:1999.

### Features:

- Unique dual function patented design – Surge Arrester and Support Insulator
- LSR Silicone housing
- Superior hydrophobic properties
- High mechanical strength
- Excellent environmental resilience e.g. to ozone, ultra violet radiation, heat etc
- Stable operating characteristics
- Operating temperature range -55°C to +55°C
- RoHS Compliant



Characteristics	
Rated Frequency	48 - 62Hz
Operating Conditions	Normal
Nominal Discharge Current	10kA
Line Discharge Class	1
Loading Capability	
Nominal Tensile Strength (SML)	70kN

Type	Rated Voltage (Ur)	Continuous Operating Voltage (Uc)	Residual Voltage at Nominal Discharge Current (In)	Minimum Creepage Distance (L)
Part Code	kVrms	kVrms	kVmax	mm
PDTISA18	24.0	18.0	73.0	400

For more information, please call our customer service department on +44 (0)1364 649248 to discuss your requirements.

PD Devices operates a policy of continual development and therefore specifications in this publication are subject to change without prior notification

All of the above information, including drawings, illustrations and graphic designs, reflects our present understanding and is to the best of our knowledge and belief correct and reliable. Users, however, should independently evaluate the suitability of each product for the desired application. Under no circumstances does this constitute an assurance of any particular quality or performance. Such an assurance is only provided in the context of our product specifications or explicit contractual arrangements. Our liability for these products is set forth in our standard terms and conditions of sale.