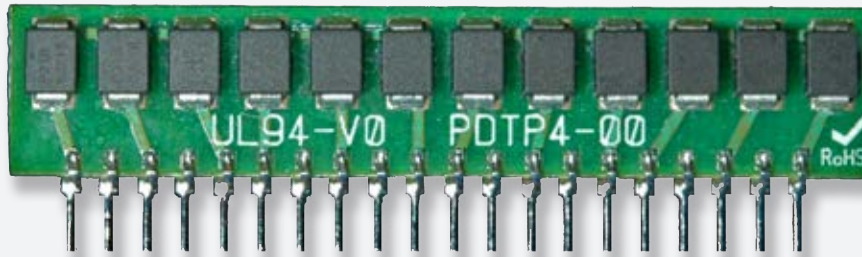
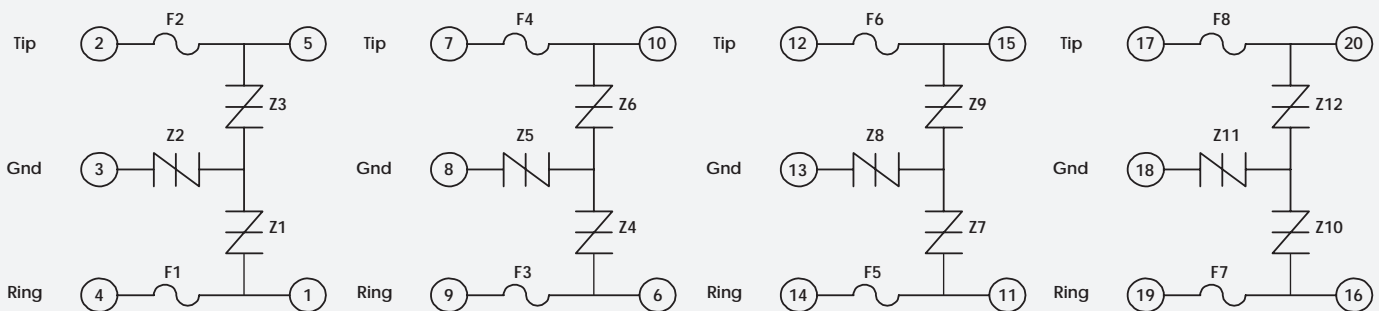


Four Port Balanced Surge Protector (RoHS)



A hybrid Single In-Line Package (SIP) to protect four twisted pairs from overcurrent and overvoltage conditions. Designed primarily for line cards, the protector offers bi-directional transient voltage protection. The package has been manufactured in accordance with the RoHS Directive and is guaranteed lead free.



Electrical Parameters

Peak Off-State Voltage (V_{DRM})	270 V* (Tip - Gnd, Ring - Gnd)
Switching Voltage (V_s)	350 V (Tip - Gnd, Ring - Gnd)
On-State Voltage (V_r)	8V max
Leakage Current (I_{DRM})	5 μ A
Switching Current (I_s)	800 mA max
Holding Current (I_r)	150 mA min
Off-State Capacitance (C_o) (Pins 1 - 3)	30 pF
Current Rating	1.25 A

Repetitive Surge Ratings

Peak Pulse Current I_{pp} , 2/10 μ s	250 A
Peak Pulse Current I_{pp} , 8/20 μ s	250 A
Peak Pulse Current I_{pp} , 10/160 μ s	150 A
Peak Pulse Current I_{pp} , 10/560 μ s	100 A
Peak Pulse Current I_{pp} , 10/1000 μ s	80 A
Rate of Rise of Current di/dt	500 A/ μ s max
Part Code:	PDTP4

All electrical parameters and surge ratings apply to forward and reverse polarities.

*Measured at I_{DRM} .

I_{pp} is a repetitive surge rating and is guaranteed for the life of the product.

All of the above information, including drawings, illustrations and graphic designs, reflects our present understanding and is to the best of our knowledge and belief correct and reliable. Users, however, should independently evaluate the suitability of each product for the desired application.

Under no circumstances does this constitute an assurance of any particular quality or performance. Such an assurance is only provided in the context of our product specifications or explicit contractual arrangements. Our liability for these products is set forth in our standard terms and conditions of sale.