

Sheath Voltage Limiter SVL03

Often, conductive structures like pipelines, data lines and physical entities such as fencing and barriers, run parallel to Overhead or Underground power transmission lines. In these situations, dangerous and damaging voltages can be induced as a function of normal operating or fault currents.

The effects of such conditions can be successfully mitigated with the use of correctly rated Sheath Voltage Limiting devices that are bonded between cable sheaths and a ground continuity conductor.

PD Devices offer many robust and reliable forms of protection devices used to effectively limit sheath voltage rises that can occur, under fault conditions, on power transmission cables.

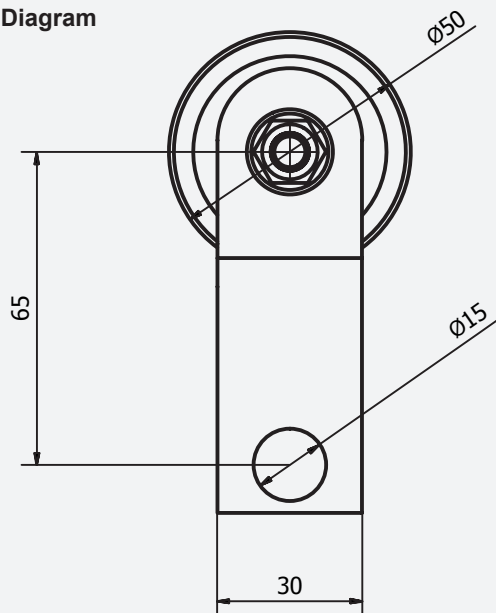
PD Devices design and manufacture a range of these metal oxide varistor (MOV) devices and ratings can usually be designed to suit any given application.



Standard Reference: EN60099-4

Characteristics:	SVL03
Max. Continuous Operating Voltage U_c	215V
Reference Voltage at 1.0mA DC	>350V
Residual Voltage at 5kA (8/20 μ s duration)	<800V
Long Duration Current Withstand (2ms impulse)	>200A
Capacitance (nF)	<7.5
Typical Mass (kg)	200g
Part Code:	SVL03

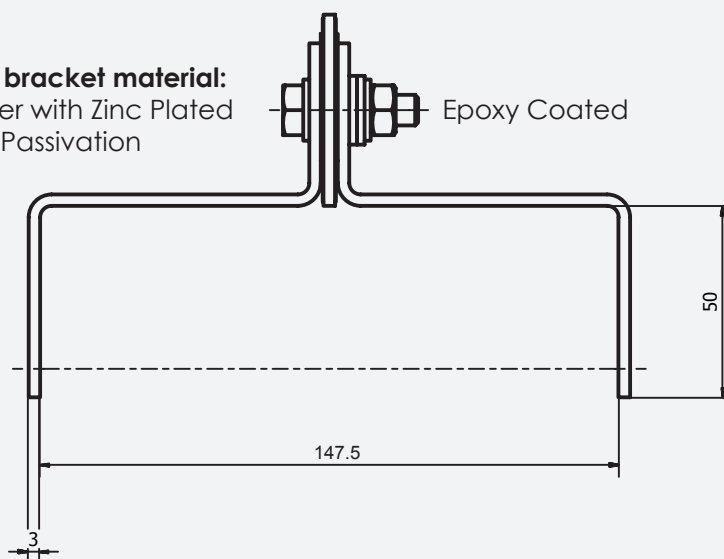
Diagram



Fixing bracket material:

Copper with Zinc Plated
Straw Passivation

Epoxy Coated



All of the above information, including drawings, illustrations and graphic designs, reflects our present understanding and is to the best of our knowledge and belief correct and reliable. Users, however, should independently evaluate the suitability of each product for the desired application. Under no circumstances does this constitute an assurance of any particular quality or performance. Such an assurance is only provided in the context of our product specifications or explicit contractual arrangements. Our liability for these products is set forth in our standard terms and conditions of sale.