

BS 1363 & IEC C13 Combination Surge & RFI Protected Socket Strip



231GBA/4IEC

PD Devices BS 1363 & IEC C13 Combination Surge & RFI protected range is an ideal solution for home, office and industrial use.

The ruggedized ABS plastic or Aluminium cases ensure a high impact resistance and long working life.

The internal surge suppressors are tested against 'worst case' conditions, as defined in International Standards.

Characteristics	
Voltage Rating (Nominal)	230V rms
Maximum Current Rating	10A (7A Fuse fitted)
Power Consumption	Negligible
Lead Length	2m
Surge Handling (8/20 μ s) [Per Element]	19.5kA [6.5kA]
Average Attenuation, Symmetric 1-30MHz (dB)	-50
Voltage Protection Level (U _p) 8/20 μ s	900V@3kA 8/20 μ s
Response Time	<10ns
Annex C Location Category	A & B
Part Codes:	SEE ORDER CODES SHEET

Standard Features:

- Red status indicator to show mains power/fuse OK.

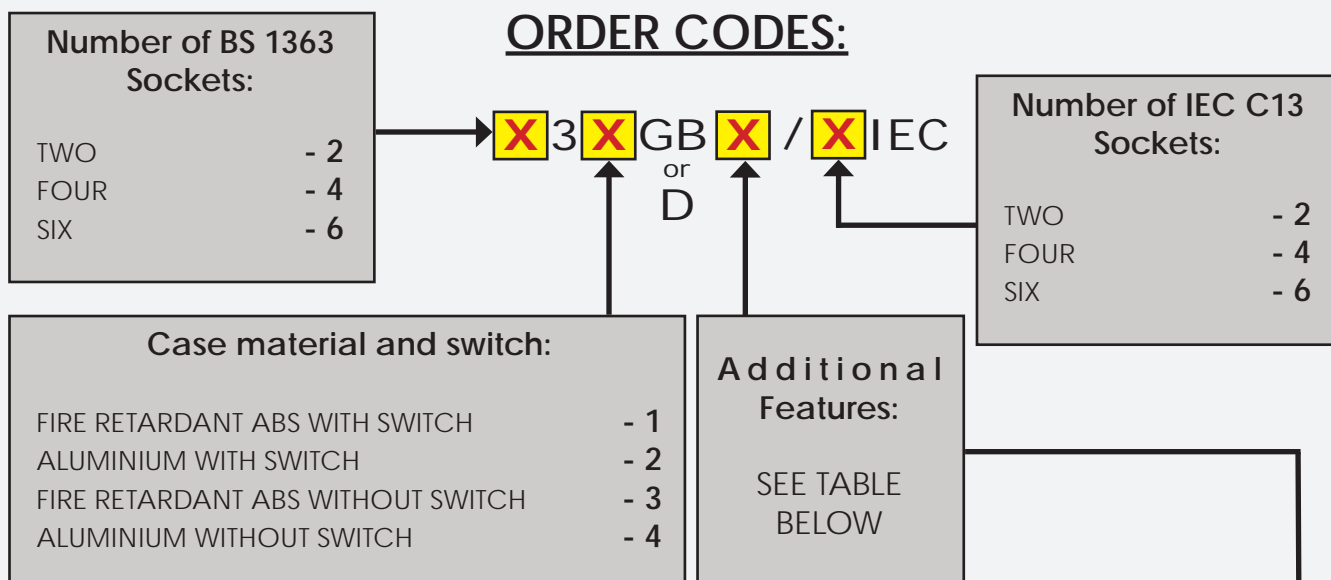
Options:

- 2, 4, or 6. (Refer to order codes page)
- Choice of Fire retardant ABS or Aluminium case.
- Choices of trailing lead plug (Plug Type UK or EU)
- Various additional Features.

Plug Type:

BS1363 (UK) -GB
CEE 7/7 (Schuko) (EU) -D

ORDER CODES:



Example – Four BS 1363 sockets in an Aluminium case, with switch and RCD plug + Six IEC C13 Sockets – **Part Code: 432GBL/6IEC**

Additional Features:	
None	-A
RJ11, RJ14, RJ25 – Phone or DSL protection (Protection supports from 1 to 3 lines on the same socket). 1x Input, 1x Output.	-B
RJ45 - (T568A/B) – 10/100/1000 BaseT Ethernet. 1x Input, 1xOutput.	-C
RJ45 - (T568A/B) - 10/100/1000 BaseT Ethernet + Power over Ethernet protection. 1x Input, 1xOutput.	-E
BT (BS6312) style telephone protection. Supports 2, 4 and 6 wire configurations. 1x Input, 1x Output.	-F
PAL (IEC 169/2) RF connector - TV Antenna, FM Radio Antenna and Cable TV Protection. 1x Input, 1x Output.	-G
F-Type RF connector – Satellite TV, Cable TV, Cable DSL and TV/Radio Antenna. 1x Input, 1x Output.	-H
BNC Type RF connector – CCTV, Analogue and Serial Digital Interface video signals, Test equipment, Radio antenna and 10BASE2 Ethernet installation Protection. 1x Input, 1x Output.	-I
Fixed (hard wired) lead with BS1363 (standard UK) plug.	-J
RCD Plug.	-L

NB. Multiple additional features can be selected.

Example - Six BS 1363 Sockets with an Aluminium case, NO switch, RCD plug and BT Phone Protection & Four IEC Sockets – **Part Code: 634GBFL/4IEC**

All of the above information, including drawings, illustrations and graphic designs, reflects our present understanding and is to the best of our knowledge and belief correct and reliable. Users, however, should independently evaluate the suitability of each product for the desired application. Under no circumstances does this constitute an assurance of any particular quality or performance. Such an assurance is only provided in the context of our product specifications or explicit contractual arrangements. Our liability for these products is set forth in our standard terms and conditions of sale.

We, PD Devices Ltd are continually improving our technology within our products we offer and therefore reserve the right to amend any of the specifications at anytime.