

T1SP1/12.5/25/230R

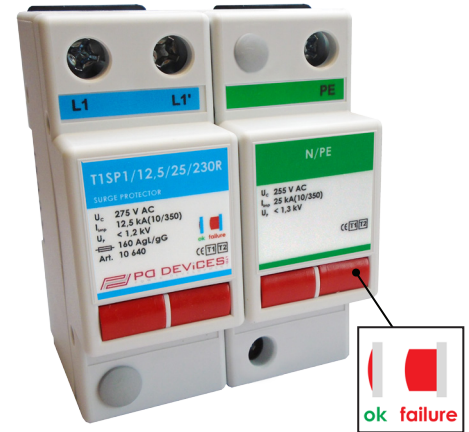
Type 1/2 Class I/II Surge Arrester



The T1SP1 is a single phase, type 1 & 2¹ surge arrester, designed for use on the boundary between LPZs 0 & 1² in structures using TNS, TNC-S and TT earthing systems.

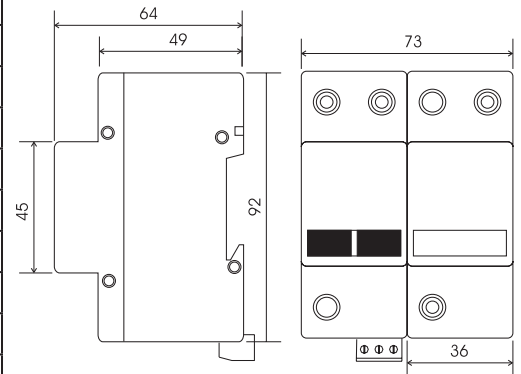
The **T1SP1/12.5/25/230R** is designed for use in structures of LPL II³, such as industrial & administration buildings, schools, supermarkets & cathedrals. The device should be fitted as close as possible to the structures mains entry point.

¹ EN 61643-1; ² IEC 1312 & EN 62305; ³



Specification		
Max. continuous operating voltage	U_c	275 V AC
Temporary overvoltage (TOV), L/N	U_t	335 V/5 sec.
Temporary overvoltage (TOV), N/PE	U_t	1200 V/0.2 sec.
Response time L/N	t_A	<25 ns
Response time N/PE	t_A	<100 ns
Max back-up fuse		160 A gL/gG
Max back-up fuse (when 'V' connected)		63 A gL/gG
Short-circuit with stand capability at max. back-up fuse	I_p	80 kA rms
Lightning impulse current (10/350 μ S) L/N	I_{imp}	12.5 kA
- charge	Q	6 As
- Specific energy	W/R	36 kJ/ Ω
Lightning impulse current (10/350 μ S) N/PE	I_{imp}	25 kA
- charge	Q	12.5 As
- Specific energy	W/R	156 kJ/ Ω
Total lightning current (10/350 μ S) L1+N \rightarrow PE	I_{total}	25 kA
Max. discharge current (8/20 μ S)	I_{max}	90 kA(L/N) 50kA N/PE)
Nominal discharge current (8/20 μ S)	I_n	25 kA
Voltage protection level at I_{imp}	U_p	<1.2 kV
Terminals		10-35mm ²
Type according to BS EN 61643-11		SPD Type 1/2 (Test Class I/II)
Weight	m	370g
Part Code		T1SP1/12.5/25/230R

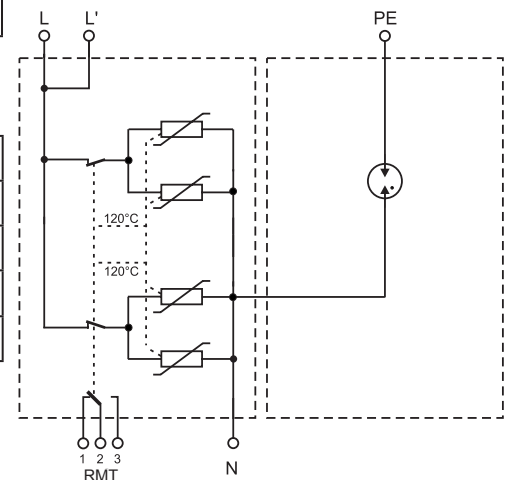
Dimensions in mm



Remote monitor terminals (RMT)

The T1SP1 range is fitted with 0v remote terminals for connection to a building management or other indication system.

Under normal operating conditions, remote terminal pins 1-2 are closed and 2-3 are open. If the internal varistor component is damaged as a result of thermal overloading, terminations 1-2 will then be open and 2-3 closed.



Electrical strength - Surrounding circuits	3750 V rms
Electrical strength - Network circuits	3750 V rms
Insulation resistance	$2 \times 10^7 \Omega$
Max switching current	~ 0.5 A
Max switching voltage	~ 250 V

Revision: vPD4, 19/12/16
Information subject to change without notice.

All of the above information, including drawings, illustrations and graphic designs, reflects our present understanding and is to the best of our knowledge and belief correct and reliable. Users, however, should independently evaluate the suitability of each product for the desired application.

