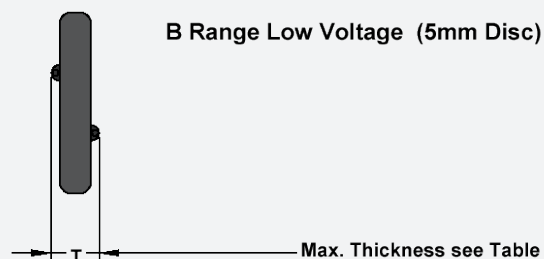
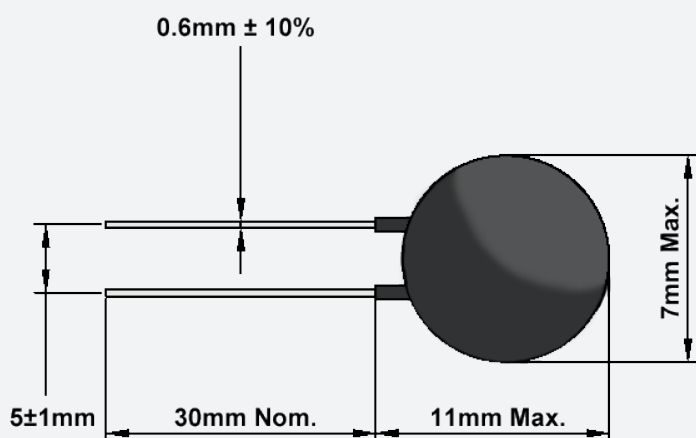



B Range Low Voltage Metal Oxide Varistors (MOV)

Code	Product Marking	Max. Continuous Voltage AC rms @ 25°C	Max. Continuous Voltage DC @ 25°C	Varistor Voltage Min. @ 0.1mA	Max Energy 10/1000	Max Clamping Voltage @ Test Current	Peak Current 8/20	Continuous Power	Typical Capacitance	Max. T	
		V	V	V	J	V	A	A	mW	pF	mm
ZL10B	18ZR05D	10	13	14.4	0.4	43	1	100	10	800	4.5
ZL13B	22ZR05D	13	17	18.7	0.5	51	1	100	10	720	4.5
ZL14B	24ZR05D	14	18	20.4	0.5	55	1	100	10	700	4.5
ZL17B	27ZR05D	17	22	24.3	0.6	60	1	100	10	640	4.5
ZL20B	33ZR05D	20	26	29.7	0.7	73	1	100	10	560	5.0
ZL25B	39ZR05D	25	31	35.1	0.8	85	1	100	10	500	5.0
ZL30B	47ZR05D	30	38	42.3	1.1	104	1	100	10	460	5.5
ZL35B	56ZR05D	35	45	50.4	1.3	125	1	100	10	400	5.5
ZL40B	68ZR05D	40	56	61.2	1.6	150	1	100	10	350	5.5
ZL50B	82ZR05D	50	65	73.8	2.0	160	5	400	100	290	5.5
ZL60B	100ZR05D	60	85	90.0	2.7	190	5	400	100	230	5.5
ZL75B	120ZR05D	75	100	105	3.0	225	5	400	100	120	5.5
ZL95B	150ZR05D	95	120	135	3.5	265	5	400	100	85	5.5



 Components are UL listed under the 'product marking' code in above table.

All of the above information, including drawings, illustrations and graphic designs, reflects our present understanding and is to the best of our knowledge and belief correct and reliable. Users, however, should independently evaluate the suitability of each product for the desired application. Under no circumstances does this constitute an assurance of any particular quality or performance. Such an assurance is only provided in the context of our product specifications or explicit contractual arrangements. Our liability for these products is set forth in our standard terms and conditions of sale.