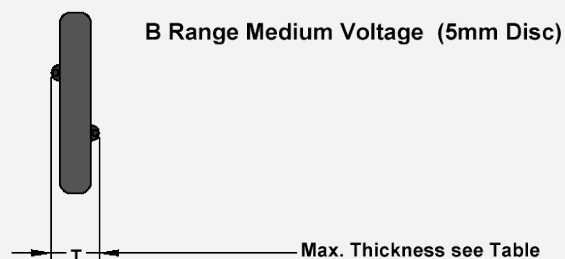
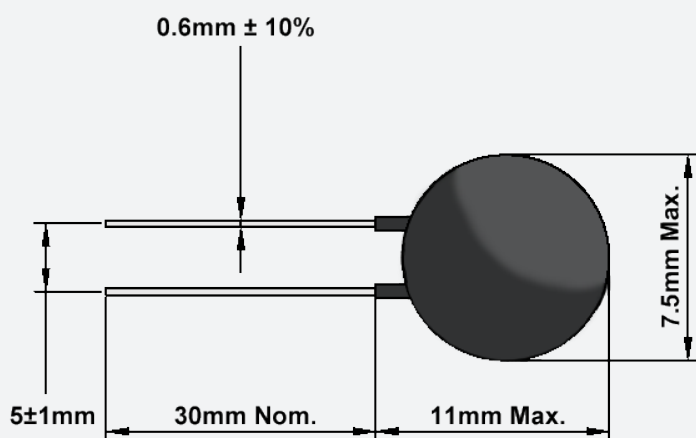



B Range Medium Voltage Metal Oxide Varistors (MOV)

Code	Product Marking	Max. Continuous Voltage AC rms @ 25°C	Max. Continuous Voltage DC @ 25°C	Varistor Voltage Min. @ 0.1mA	Max Energy 10/1000	Max Clamping Voltage @ Test Current	Peak Current 8/20	Continuous Power	Typical Capacitance	Max. T
		V	V	V	J	V	A	mW	pF	mm
Z110B	200NR05D	121	157	176	5.0	325	5	100	90	4.5
Z120B	216NR05D	132	172	192	5.5	355	5	100	80	4.5
Z135B	240NR05D	150	195	220	6.5	415	5	100	70	5.0
Z150B	270NR05D	165	214	238	7.0	445	5	100	70	5.0
Z180B	330NR05D	200	260	288	8.0	540	5	100	60	5.0
Z220B	390NR05D	250	325	358	11	675	5	120	60	5.0
Z230B	416NR05D	253	329	362	11	683	5	120	60	5.1
Z250B	450NR05D	275	358	394	12	745	5	120	50	6.0
Z280B	500NR05D	320	416	455	13	865	5	120	50	6.0
Z320B	550NR05D	352	458	503	15	950	5	120	50	6.0
Z380B	680NR05D	420	546	599	18	1100	5	150	40	7.0
Z415B	750NR05D	460	598	655	19	1240	5	150	40	7.0
Z440B	780NR05D	484	629	690	20	1300	5	150	40	7.0



 Components are UL listed under the 'product marking' code in above table.

All of the above information, including drawings, illustrations and graphic designs, reflects our present understanding and is to the best of our knowledge and belief correct and reliable. Users, however, should independently evaluate the suitability of each product for the desired application. Under no circumstances does this constitute an assurance of any particular quality or performance. Such an assurance is only provided in the context of our product specifications or explicit contractual arrangements. Our liability for these products is set forth in our standard terms and conditions of sale.