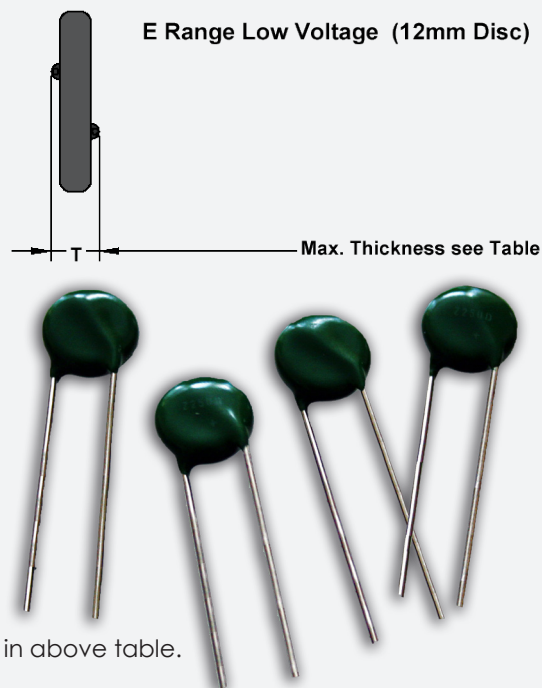
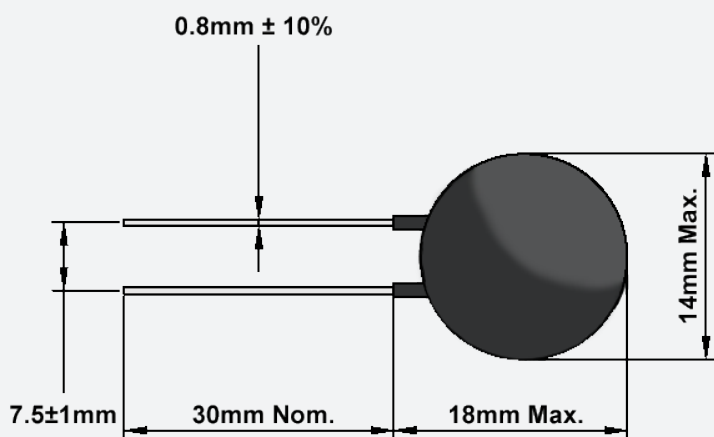


E Range Low Voltage Metal Oxide Varistors (MOV)

Code	Product Marking	Max. Continuous Voltage AC rms @ 25°C	Max. Continuous Voltage DC @ 25°C	Varistor Voltage Min. @ 1mA	Max Energy 10/1000	Max Clamping Voltage @ Test Current	Peak Current 8/20	Continuous Power	Typical Capacitance	Max. T
		V	V	V	J	V	A	mW	pF	mm
ZL75E	120NR12D	75	95	105	13	205	35	500	750	5.0
ZL95E	150NR12D	95	120	135	18	250	35	500	750	5.0



 Components are UL listed under the 'product marking' code in above table.

All of the above information, including drawings, illustrations and graphic designs, reflects our present understanding and is to the best of our knowledge and belief correct and reliable. Users, however, should independently evaluate the suitability of each product for the desired application. Under no circumstances does this constitute an assurance of any particular quality or performance. Such an assurance is only provided in the context of our product specifications or explicit contractual arrangements. Our liability for these products is set forth in our standard terms and conditions of sale.