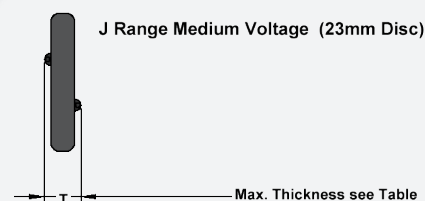
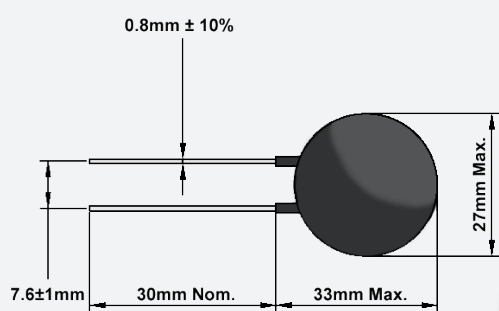


J Range Medium Voltage Metal Oxide Varistors (MOV)

Code	Product Marking	Max. Continuous Voltage AC rms @ 25°C	Max. Continuous Voltage DC @ 25°C	Varistor Voltage Min. @ 1mA	Max Energy 10/1000	Max Clamping Voltage @ Test Current		Peak Current 8/20	Continuous Power	Typical Capacitance	Max. T
		V	V	V	J	V	A	A	mW	pF	mm
Z110J	200NS20D	121	157	175	60	310	100	8000	1100	2400	4.0
Z120J	216NS20D	132	172	190	72	340	100	8000	1100	2000	4.5
Z135J	240NS20D	150	195	215	82	395	100	8000	1150	1800	4.5
Z150J	270NS20D	165	214	240	92	425	100	8000	1150	1650	5.0
Z180J	330NS20D	200	260	290	110	520	100	8000	1200	1350	5.0
Z220J	390NS20D	250	325	360	133	650	100	8000	1200	1000	5.5
Z230J	416NS20D	253	330	364	133	660	100	8000	1200	950	5.6
Z250J	450NS20D	275	358	395	150	710	100	8000	1200	950	6.0
Z280J	500NS20D	320	416	450	164	825	100	8000	1250	950	6.5
Z320J	550NS20D	352	458	510	180	910	100	8000	1250	900	7.0
Z380J	680NS20D	420	546	610	190	1090	100	8000	1300	900	7.5
Z415J	750NS20D	460	598	670	200	1180	100	8000	1350	850	8.0
Z440J	780NS20D	484	629	710	210	1250	100	8000	1400	850	8.5
Z480J	820NS20D	525	675	780	220	1340	100	8000	1400	825	8.8
Z500J	850NS20D	550	715	800	225	1420	100	8000	1450	800	9.0
Z525J	910NS20D	580	754	840	230	1450	100	8000	1440	800	9.1
Z550J	1000NS20D	605	780	880	240	1550	100	8000	1425	800	9.2
Z575J	1000NS20D	632	822	925	256	1630	100	8000	1400	800	9.5
Z600J	1100NS20D	660	850	960	275	1690	100	8000	1500	775	9.7
Z660J	1400NS20D	726	950	1060	282	1790	100	8000	1550	750	9.8
Z900J	1800NS20D	1000	1300	1450	370	2385	100	8000	1700	700	11



Components are UL listed under the 'product marking' code in above table.

All of the above information, including drawings, illustrations and graphic designs, reflects our present understanding and is to the best of our knowledge and belief correct and reliable. Users, however, should independently evaluate the suitability of each product for the desired application. Under no circumstances does this constitute an assurance of any particular quality or performance. Such an assurance is only provided in the context of our product specifications or explicit contractual arrangements. Our liability for these products is set forth in our standard terms and conditions of sale.