

NP Range Low Voltage Metal Oxide Varistor (MOV) Assemblies

A range of Low Voltage, high energy metal oxide based overvoltage protection devices that have uses in a variety of applications.

The components are coated with a durable epoxy resin to provide a resilient environmental barrier. Peak current - 10kA 8/20 μ s.



Characteristics

Code Prefix	U_c AC rms	U_c DC	DC voltage @ 1mA	Energy (10/1000)	U_p @ Test current	Typical Capacitance (1kHz)	Max T	
	V	V	V	J	V	pF	mm	
Z120	132	175	190	100	330	100	5400	3.0
Z135	150	200	215	120	370	100	4560	3.0
Z150	165	220	240	125	410	100	4100	3.5
Z180	200	260	290	130	500	100	3780	3.5
Z220	250	330	360	160	620	100	3085	4.0
Z230	253	330	395	160	630	100	3085	4.0
Z250	275	370	400	180	680	100	2280	4.0
Z280	320	416	450	210	790	100	2160	4.5
Z320	352	470	510	230	870	100	2160	5.0
Z380	420	560	610	260	1050	100	2050	5.5
Z415	460	615	670	290	1140	100	2050	6.0
Z440	484	640	710	320	1200	100	1940	6.0
Z500	550	715	800	350	1365	100	1940	7.0
Z525	580	754	840	355	1450	100	1900	7.0
Z575	632	825	925	375	1570	100	1825	7.0
Z600	660	850	960	400	1650	100	1825	7.5
Z660	726	950	1060	450	1790	100	1710	8.0
Z750	825	1072	1200	510	2015	100	1680	8.7
Z780	858	1115	1250	520	2085	100	1680	8.9
Z850	935	1215	1395	600	2235	100	1620	9.7
Z900	1000	1300	1450	650	2385	100	1560	10.4

NP Series Configuration Options

FIG 1: NP Configuration

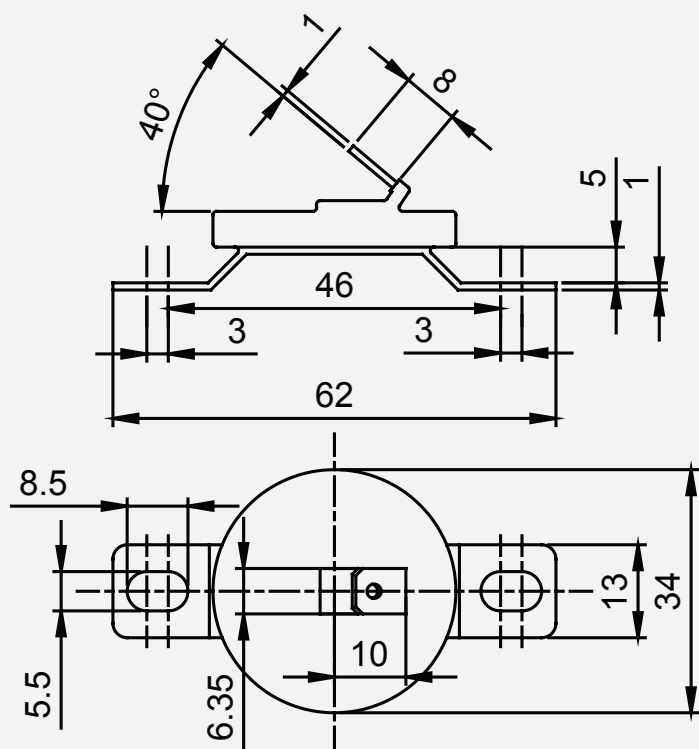
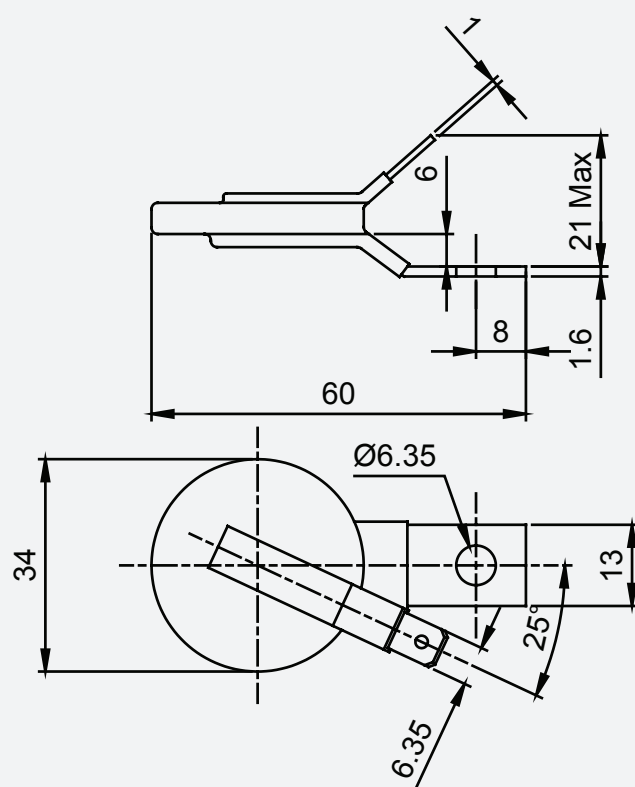


FIG 2: NP2 Configuration



All of the above information, including drawings, illustrations and graphic designs, reflects our present understanding and is to the best of our knowledge and belief correct and reliable. Users, however, should independently evaluate the suitability of each product for the desired application. Under no circumstances does this constitute an assurance of any particular quality or performance. Such an assurance is only provided in the context of our product specifications or explicit contractual arrangements. Our liability for these products is set forth in our standard terms and conditions of sale.