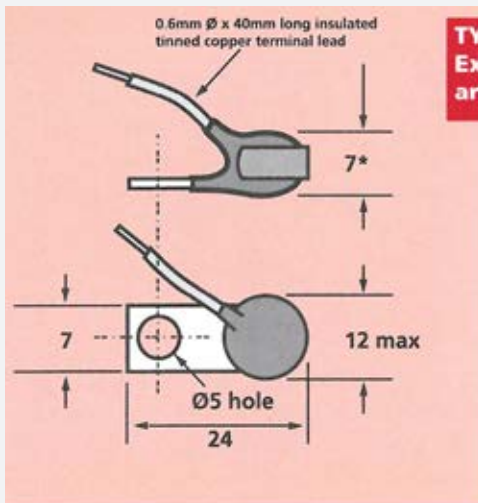


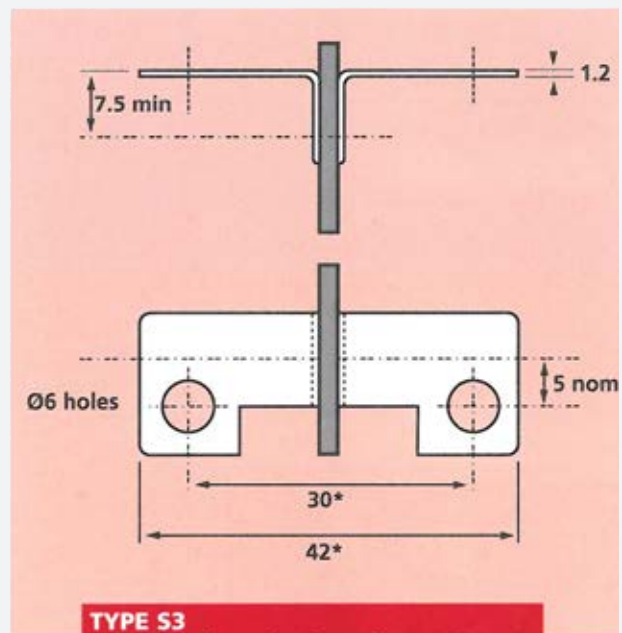
# Packaging

PD Devices offers a service to provide varistors in alternative packaging and mounting arrangements. The following drawings depict some suggestions for single discs.

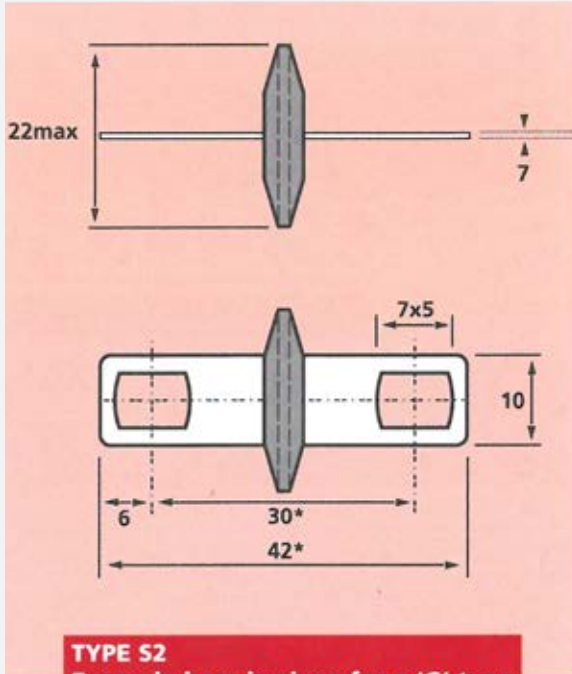
Multi disc packaging is also available to suit your requirements.



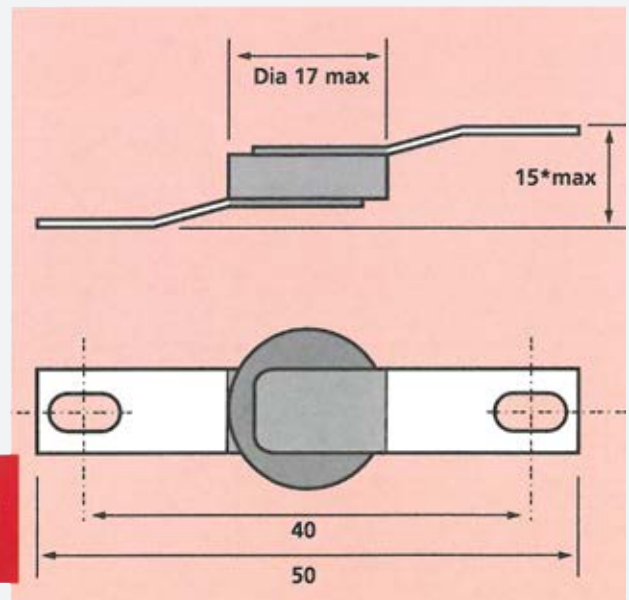
**TYPE S1**  
Example here is given for a 'D' type disc and specified as Z250DS1



**TYPE S3**  
Example here is given for a 'G' type disc and specified as Z250GS3



**TYPE S2**  
Example here is given for a 'G' type disc and specified as Z250GS2



**TYPE S4**  
Example here is given for a 'F' type disc and specified as Z250FS4

The above are only examples and can be designed for all ranges.

\*This dimension will change depending on the voltage rating

All Dimensions in mm