

# ZOMM Series

## (Zinc Oxide Military Modules)

### ZOMM 123/3S16/6/4

PD Devices Ltd manufacture a wide range of products to protect against the effects of high altitude detonation of Nuclear devices. The result of such an event is the generation of Electromagnetic Pulses which will induce a high voltage transient in exposed conductors.

The EMP can affect several thousands of square kilometres, with a magnitude of tens of kilovolts.

This could result in serious damage to insulation, cause breakdown of semiconductors and the consequent malfunction of critical equipment.

Most notable would be the failure of Energy Power Supply and Communications Systems.

The **ZOMM 123/3S16/6/4** has been designed specially for the protection of 3 phase,PWM, Motors. Devices to different peak voltage conditions are available.

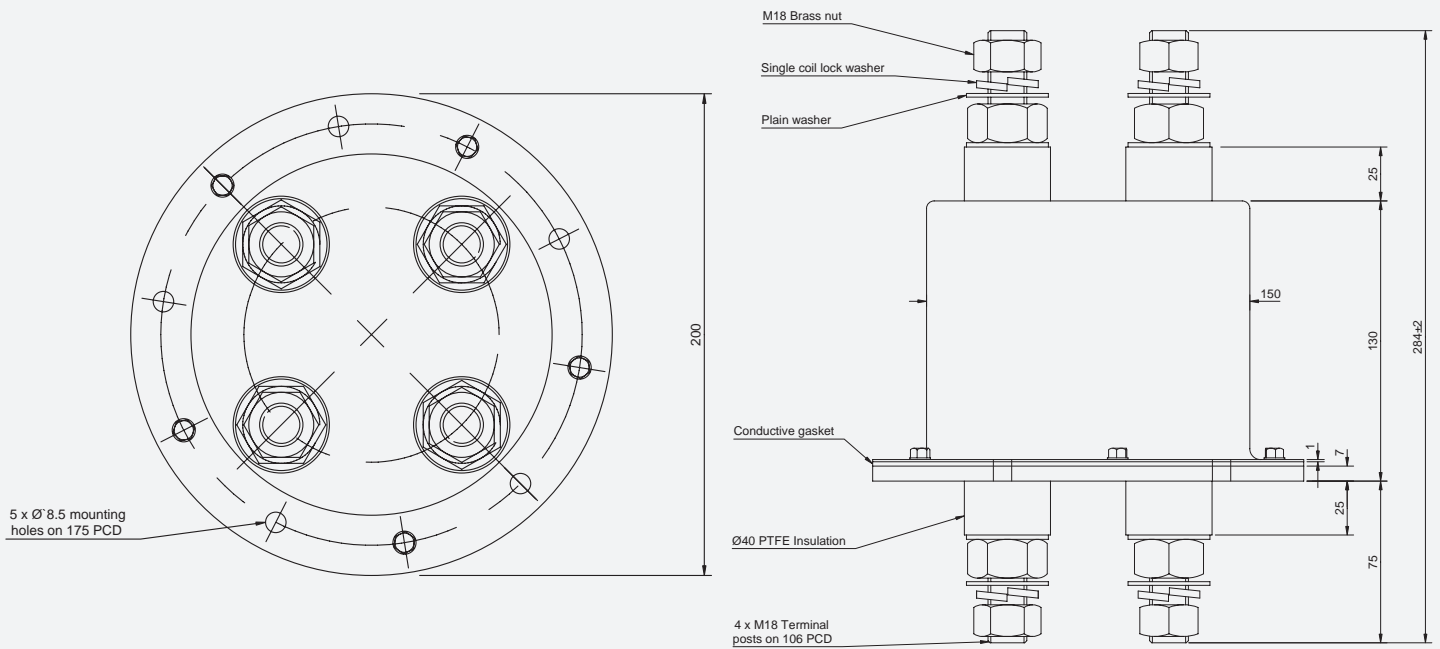


| Characteristics:             |               |                                      |
|------------------------------|---------------|--------------------------------------|
| Continuous Operating Voltage | AC (rms)      | 690AC, 3kHz, 3 Phase PWM, (2160Vmax) |
| Energy per channel (Joules)  | (10/1000µs)   | 2900 Joules                          |
| Max. Peak Clamping Volts @   | 100A (8/20µs) | 5500V                                |
| No. of channels              |               | 4                                    |
| Part Code:                   |               | <b>ZOMM123/3S16/6/4</b>              |

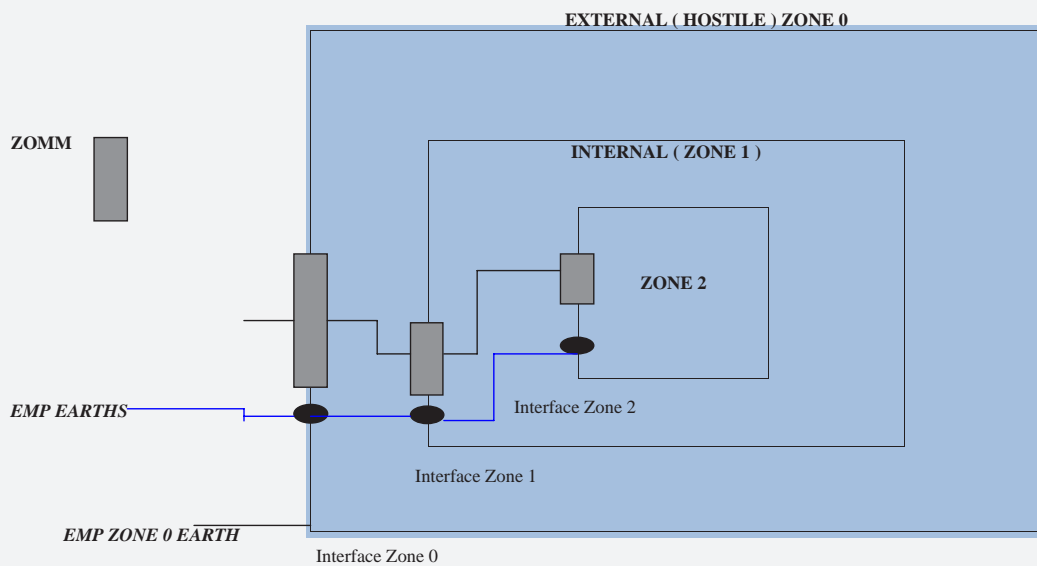
PD Devices reserves the right to amend specifications in line with product development.



## ZOMM 123/3S16/6/4 Diagram



This ZOMM Application is recommended for Zone 0, 1 & 2



**For any specific design requirement and / or query regarding this product Series please contact our Customer Service Department on +44 (0)1364 649248 to discuss further.**

All of the above information, including drawings, illustrations and graphic designs, reflects our present understanding and is to the best of our knowledge and belief correct and reliable. Users, however, should independently evaluate the suitability of each product for the desired application. Under no circumstances does this constitute an assurance of any particular quality or performance. Such an assurance is only provided in the context of our product specifications or explicit contractual arrangements. Our liability for these products is set forth in our standard terms and conditions of sale.