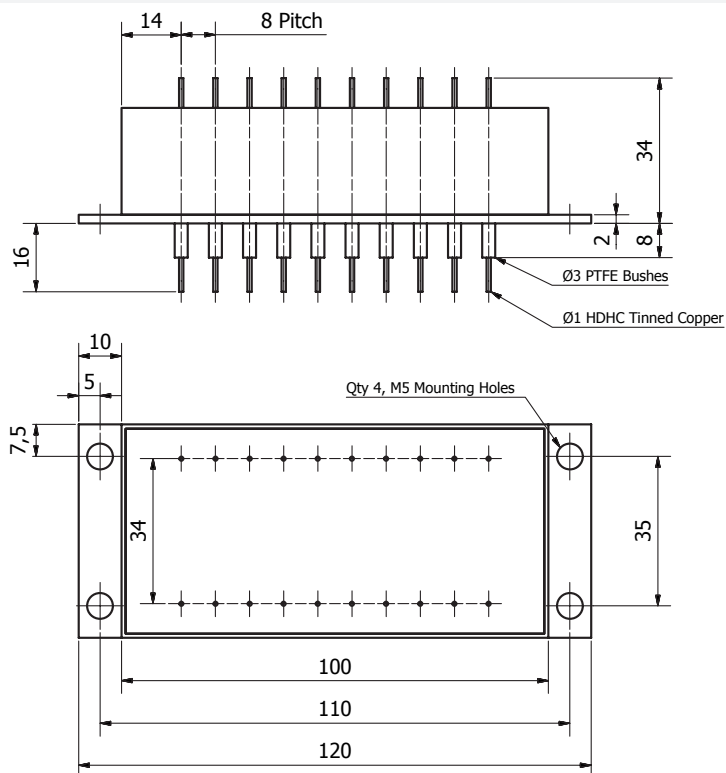


ZOMM 124/303/1/20

Characteristics:

Continuous Operating Voltage, AC rms	110V
Continuous Operating Voltage, DC	145V
Energy per channel (Joules)	35J
Max. Peak Clamping Volts @ 50A	310V
No. of channels	20
50 Shot (4/20 μ s) Repetitive Duty	300A
Response Time	<10ns
Continuous Current per Channel	5A
Max. (8/20 μ s) Current per Channel	4500A
Leakage Current per Channel at Rated Voltage, DC	<50 μ A
Through Inductance	<10 μ H
Volts Drop	Negligible
Terminations	1 mm H.D.H.C. Tinned Copper
Bushes	PTFE
Earth Connection	To Base Plate



All of the above information, including drawings, illustrations and graphic designs, reflects our present understanding and is to the best of our knowledge and belief correct and reliable. Users, however, should independently evaluate the suitability of each product for the desired application. Under no circumstances does this constitute an assurance of any particular quality or performance. Such an assurance is only provided in the context of our product specifications or explicit contractual arrangements. Our liability for these products is set forth in our standard terms and conditions of sale.

PD Devices reserves the right to amend specifications in line with product development.