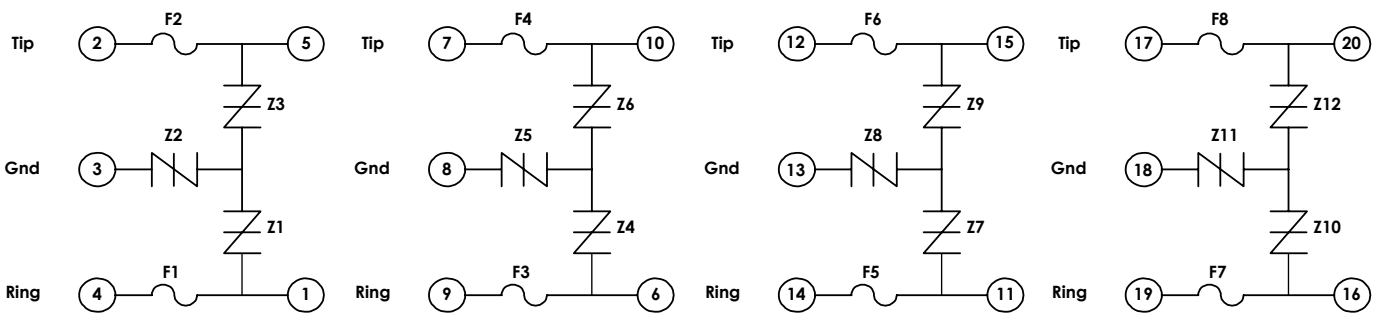
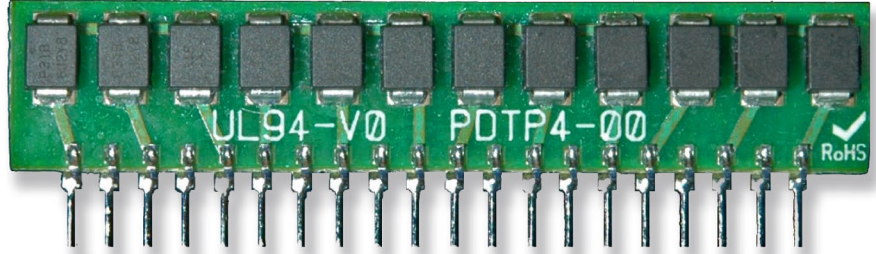


PDTP4 Four Port Balanced Surge Protector (RoHS)

The PDTP4 is a hybrid Single In-Line Package (SIP) to protect four twisted pairs from overcurrent and overvoltage conditions.

Designed primarily for line cards, the protector offers bi-directional transient voltage protection. The package has been manufactured in accordance with the RoHS Directive and is guaranteed lead free.



Electrical Parameters	
Peak Off-State Voltage (V_{DRM})	270 V* (Tip - Gnd, Ring - Gnd)
Switching Voltage (V_s)	350 V (Tip - Gnd, Ring - Gnd)
On-State Voltage (V_o)	8V max
Leakage Current (I_{DRM})	5 μ A
Switching Current (I_s)	800 mA max
Holding Current (I_H)	150 mA min
Off-State Capacitance (C_o) (Pins 1 - 3)	30 pF
Current Rating	1.25 A

Repetitive Surge Ratings	
Peak Pulse Current I_{pp} , 2/10 μ s	250 A
Peak Pulse Current I_{pp} , 8/20 μ s	250 A
Peak Pulse Current I_{pp} , 10/160 μ s	150 A
Peak Pulse Current I_{pp} , 10/560 μ s	100 A
Peak Pulse Current I_{pp} , 10/1000 μ s	80 A
Rate of Rise of Current di/dt	500 A/ μ s max
Part Code:	PDTP4

All electrical parameters and surge ratings apply to forward and reverse polarities.

*Measured at I_{DRM} .

I_{pp} is a repetitive surge rating and is guaranteed for the life of the product.

Revision: vPD2, 26/03/19
Information subject to change without notice.

All of the above information, including drawings, illustrations and graphic designs, reflects our present understanding and is to the best of our knowledge and belief correct and reliable. Users, however, should independently evaluate the suitability of each product for the desired application.

