

ZOMM Series

(Zinc Oxide Military Modules)

ZOMM 141/ (XXX) /4/1



PD Devices Ltd manufacture a wide range of products to protect against the effects of high altitude detonation of Nuclear devices. The result of such an event is the generation of Electromagnetic Pulses which will induce a high voltage transient in exposed conductors.

The EMP can affect several thousands of square kilometres, with a magnitude of tens of kilovolts.

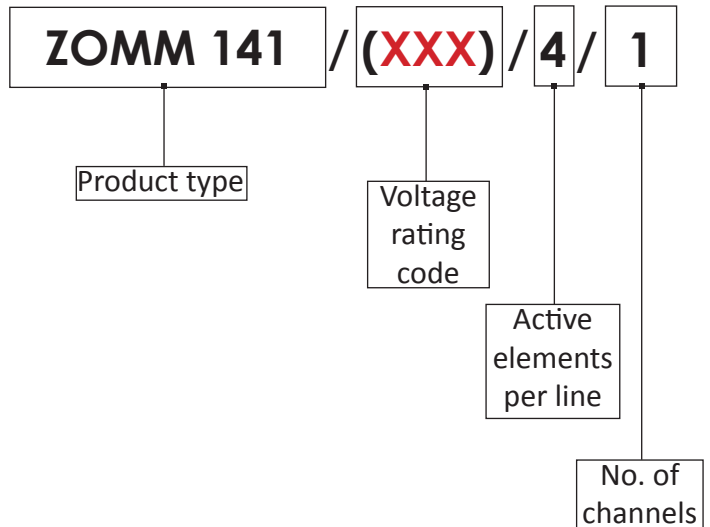
This could result in serious damage to insulation, cause breakdown of semiconductors and the consequent malfunction of critical equipment.

Most notable would be the failure of Energy Power Supply and Communications Systems. We offer products to satisfy protection for most applications



Specification	
No. of channels	1
50 Shot (4/20µs) Repetitive Duty	5000A
Response Time	<10ns
Continuous Current per Channel	60A (Can be supplied as a special with 100A Copper conductors add Cu to part No.)
Max. (8/20µs) Current per Channel	30000A
Leakage Current per Channel at Rated Voltage, DC	<200µA
Through Inductance	<10µH
Volts Drop	Negligible
Terminations	8mm Dia Brass
Bushes	PTFE
Earth Connection	To Base Plate
Recommended Torque per M4 Terminal	6.0Nm, 5.6Nm Copper Conductors (Ensure terminal does not rotate)

Explanation of Order Code



(XXX)		06	07	08	09	1	2	3	4	5	6	7	8	9	10	11	12
Continuous Operating Voltage	AC (rms)	50	60	95	110	120	135	150	180	220	250	280	320	380	415	440	600
Energy per channel (Joules)	(10/1000µs)	125	150	250	325	380	400	500	520	640	700	800	920	1040	1160	1280	1500
Max. Peak Clamping Volts @	100A (8/20µs)	170	200	300	335	365	410	450	540	670	760	850	1000	1200	1300	1400	1900

Revision: vPD2, 22/05/18
Information subject to change without notice.

PD Devices reserves the right to amend specifications in line with product development.

All of the above information, including drawings, illustrations and graphic designs, reflects our present understanding and is to the best of our knowledge and belief correct and reliable. Users, however, should independently evaluate the suitability of each product for the desired application.



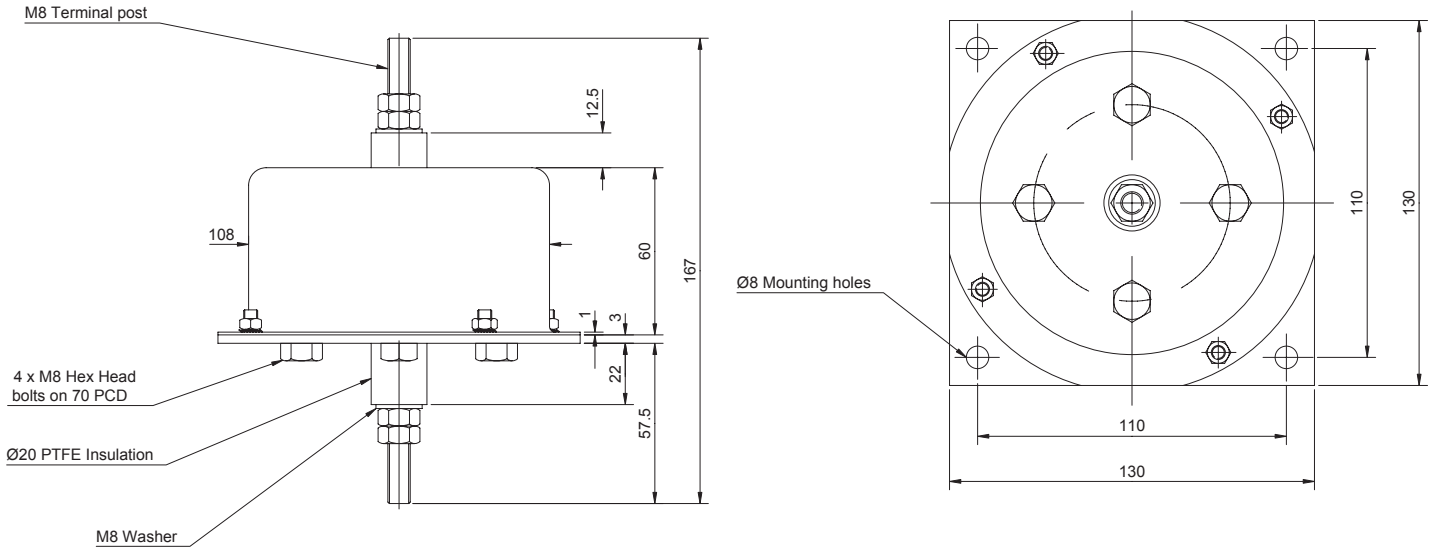
ZOMM Series

(Zinc Oxide Military Modules)

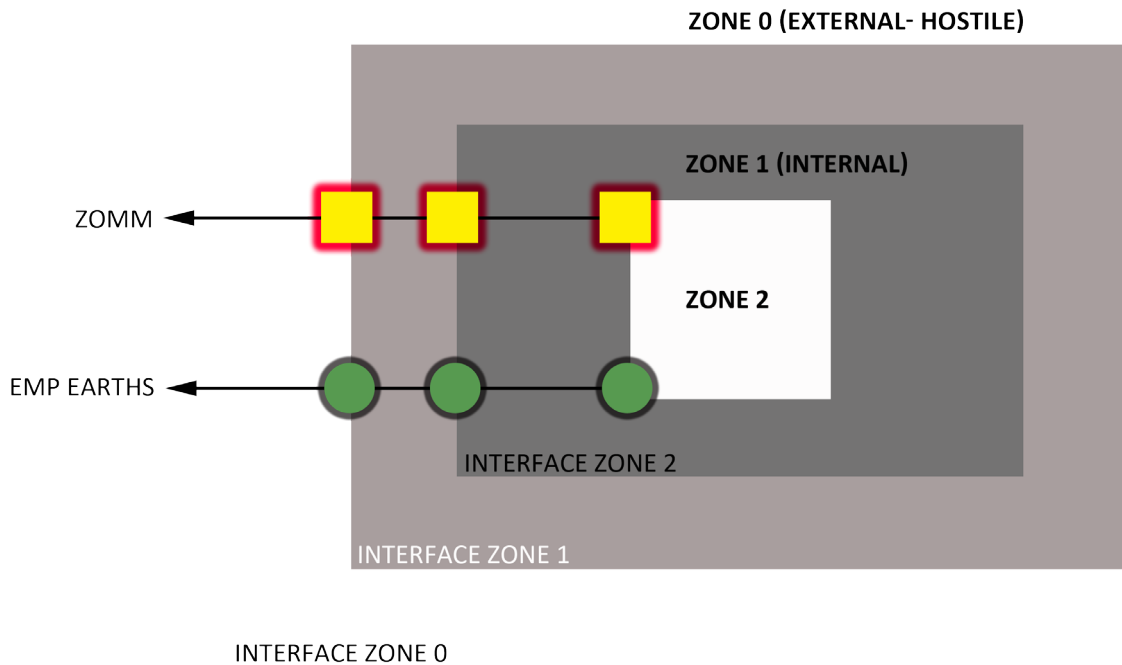
ZOMM 141/ (XXX) /4/1



ZOMM 141/(XXX)/4/1 Diagram in mm



This ZOMM Application is recommended for Zone 0,1 & 2



Revision: vPD2, 22/05/18
Information subject to change without notice.

All of the above information, including drawings, illustrations and graphic designs, reflects our present understanding and is to the best of our knowledge and belief correct and reliable. Users, however, should independently evaluate the suitability of each product for the desired application.

